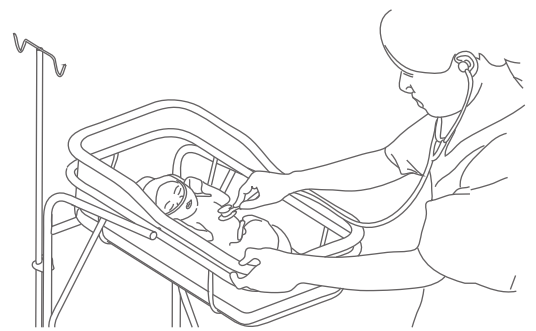
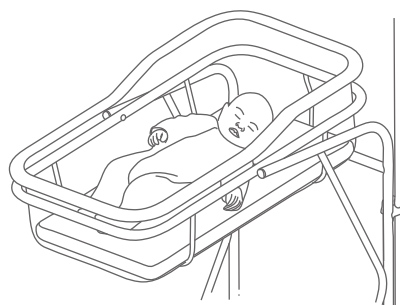
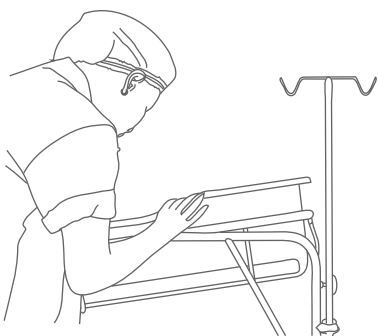


LifeKit by **MTTS**



INFANT BED

A safe, comfortable **bed** for **neonatal and paediatric patients**.



Overall

- suitable for neonates and paediatric patients
- compatible with MTTs Overhead Phototherapy
- rigid, stainless steel body
- biocompatible materials
- safe and comfortable

1. Bassinet

- clear polycarbonate for easy patient observation
- soft edges
- comfortable handhold around the rim
- removable for patient transport and diagnostic
- smooth surface for quick wipe-down

2. Mattress

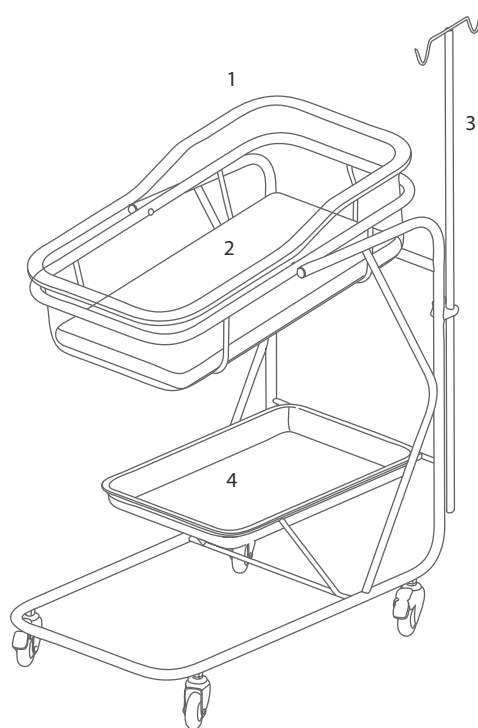
- waterproof fabric
- biocompatible material

3. Body - IV Pole

- adjustable height
- stainless steel

4. Storage Tray

- stainless steel
- soft edges
- easy to clean



Dimensions and Weight

Unit	Height	102 cm
	Length	88 cm
	Width	50 cm
	Weight	15.5 kg
	Shipping weight	26.0 kg
Bassinet	Length	82 cm
	Width	46 cm
	Depth	25 cm
Mattress	Length	70 cm
	Width	37 cm
	Depth	4 cm
Storage tray	Length	60 cm
	Width	40 cm
	Depth	5 cm

Ordering Information and Servicing

MAIN UNIT	ITEM ORDER NO	
Infant Bed	IBD-1000	Main Unit
ACCESSORIES	ITEM ORDER NO	
Bassinet	IBD-1010	
Mattress	IBD-1020	
Baby Bonnet	IBD-1030	
User Manual	IBD-1040	English
WARRANTY		
Standard Warranty	1 Year	Subject to MTTs policy

MTTS

MEDICAL TECHNOLOGY TRANSFER AND SERVICES Co., LTD
EN ISO 13485: 2012 Certified Company

For more information or to place an order please contact us at:

@ info@mtts-asia.com
sales@mtts-asia.com
assistance@mtts-asia.com

www http://mtts-asia.com
http://lifekit-health.org

+84 43 766 6521

No 26, Lane 41 An Duong Vuong Street
Phu Thuong Ward, Tay Ho District
Hanoi, Vietnam

Distributor: