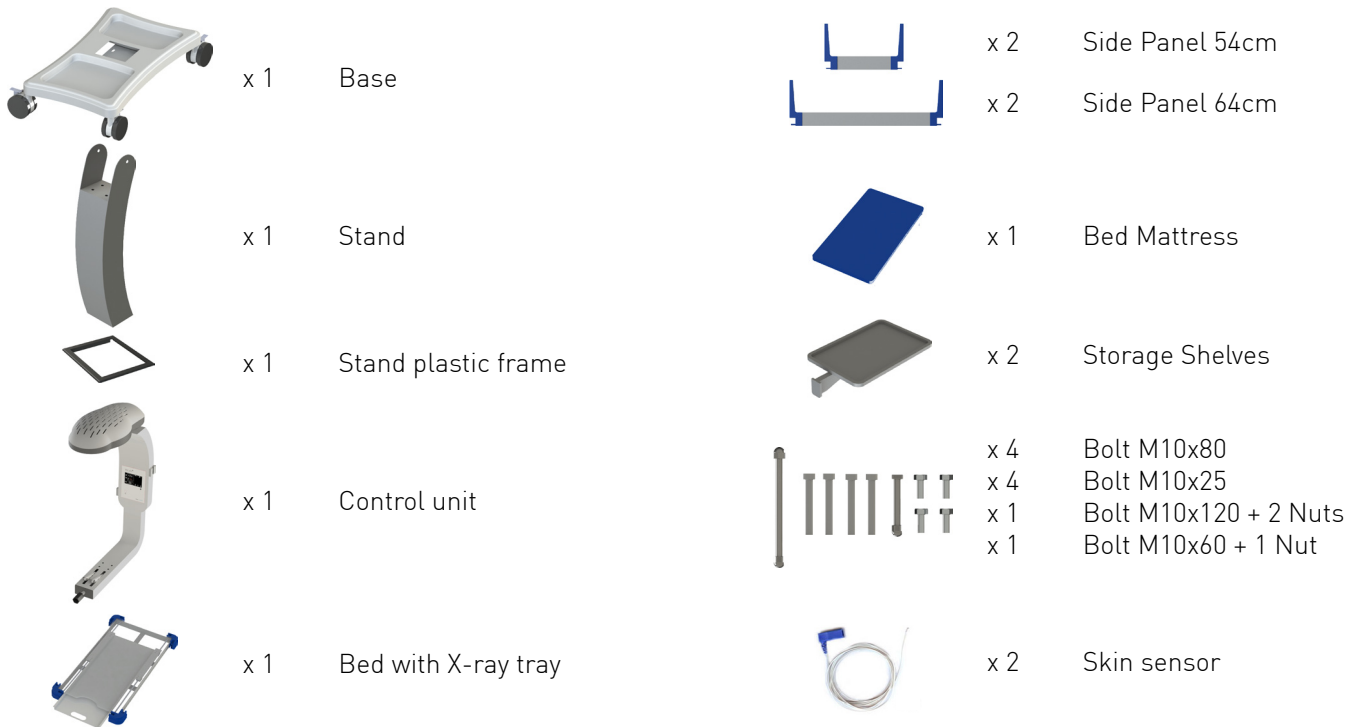




Refer to User Manual for comprehensive information

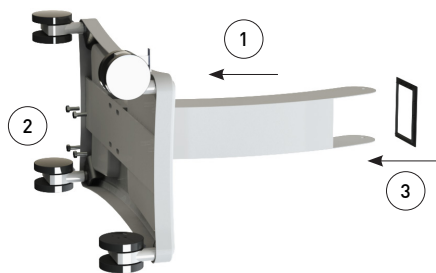
STEP 1 - Remove components from the box



STEP 2 - Attach Stand to Base



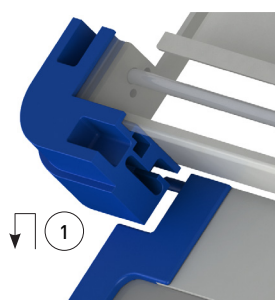
Two people might be required to perform this step



STEP 3 - Attach Control Unit to Stand

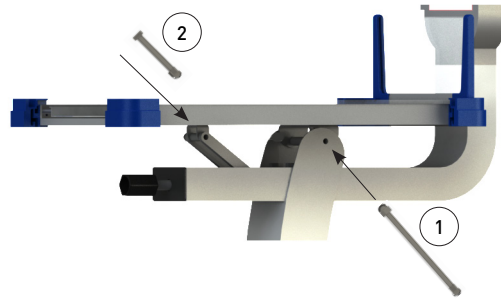


STEP 4 - Attach Side Panel to Bed

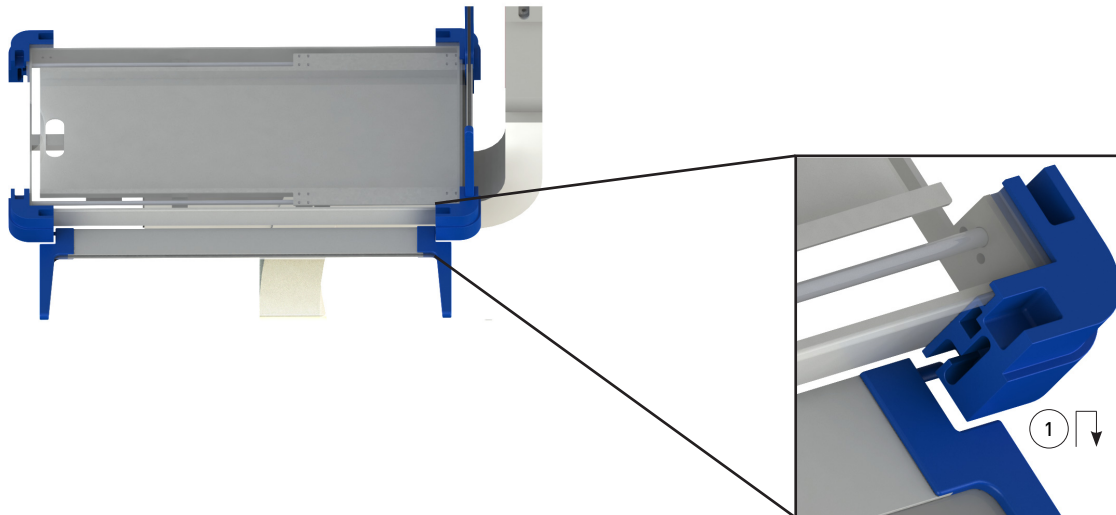


Attach only side panel that is closest to the Control Unit in this step. Remaining panels will be attached in Step 6.

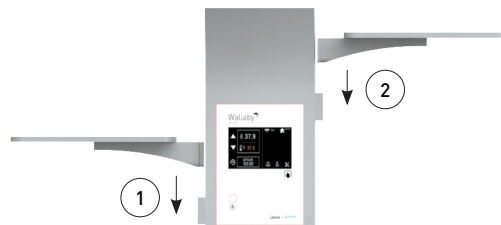
STEP 5 - Attach Bed



STEP 6 - Attach 3 remaining Side Panels to Bed



STEP 8 - Attach Storage Shelves



STEP 9 - Plug in and power up

