
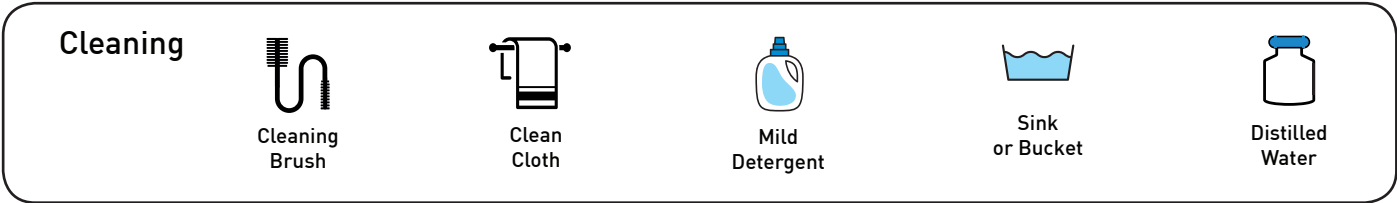
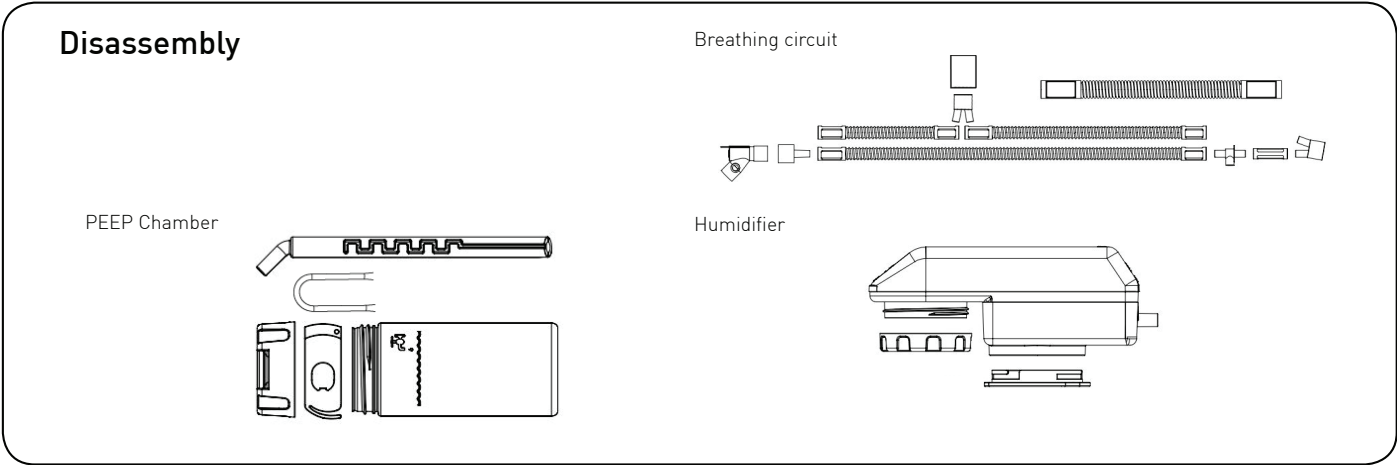
 Refer to User Manual for comprehensive information:  
<http://www.mtts-asia.com/dolphin-cpap/>

**Breathing Circuit, PEEP Chamber and Humidifier**

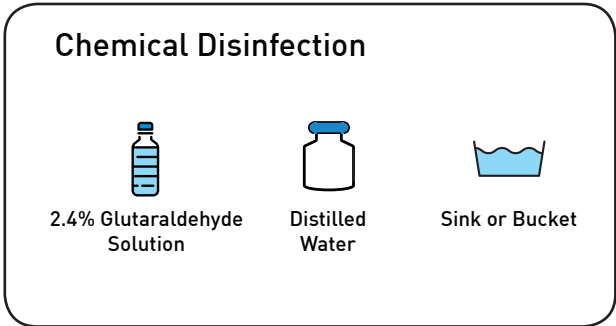
 Do not include the temperature sensor cable in this process.



**Autoclave**

Method	Temp.	Time
Steam Autoclave (pre-vacuum)	134°C	4 min
Steam Autoclave (gravity displacement)	134°C	20 min

OR



## Temperature Sensor Cable

### Temperature Sensor Cable



#### Cleaning



70%  
Alcohol



Clean  
Cloth



Make sure to wash your hands and/or wear sterile gloves when reassembling breathing circuit.

Dolphin CPAP includes a number of parts that must be replaced or serviced during the lifetime of the device. These parts include:

Component	Approx. Duration of Use	Maintenance Information
Humidifier	2 years or 150 uses	Replace parts when needed
PEEP chamber		
Breathing circuit		
Cleaning brush		
Air filter	6 months	Clean/replace according to step 1 on p.47 in User Manual
Oxygen sensor	18 months	Calibrate every 3 months according to step 2 on p.48 in User Manual Contact MTTs representative for replacement.