

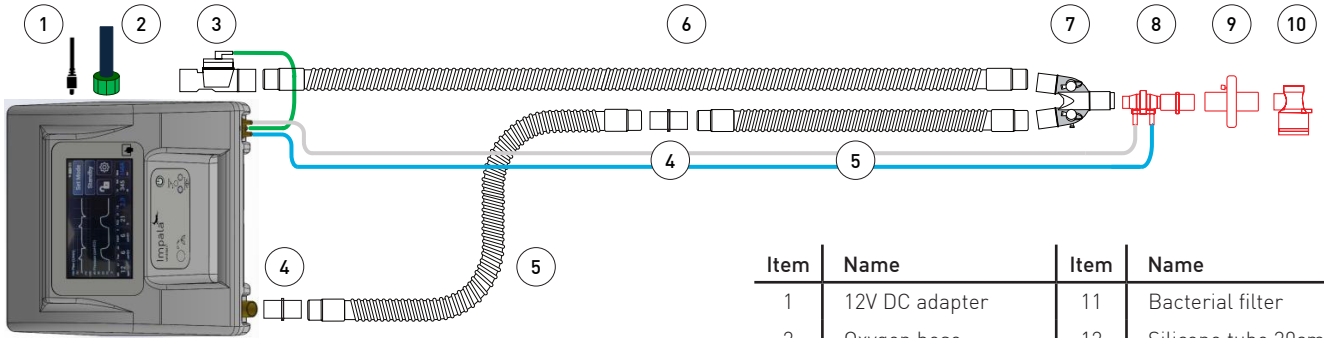


Refer to User Manual for comprehensive information:
<https://www.mttS-asia.com/impala-ventilator/>

Set up

DOUBLE LIMB BREATHING CIRCUIT

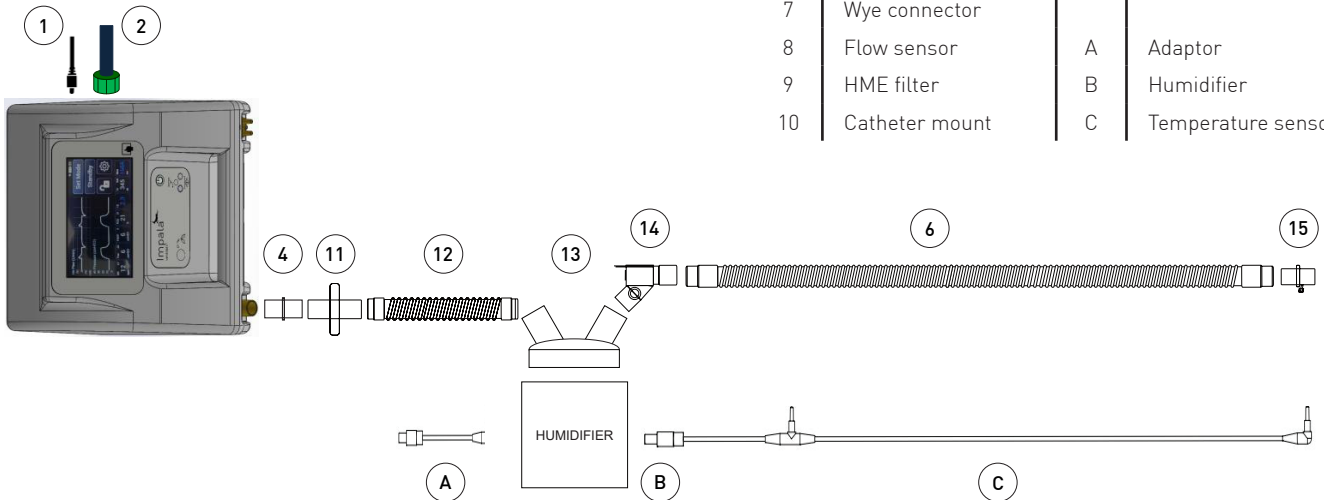
Required: flow meter and exhalation valve



Item	Name	Item	Name
1	12V DC adapter	11	Bacterial filter
2	Oxygen hose	12	Silicone tube 30cm
3	Exhalation valve	13	Humidifier chamber
4	Straight connector	14	Heater wire conn.
5	Silicone tube 60cm	15	Conn. w temp port
6	Silicone tube 120cm	16	Water trap
7	Wye connector		
8	Flow sensor	A	Adaptor
9	HME filter	B	Humidifier
10	Catheter mount	C	Temperature sensor

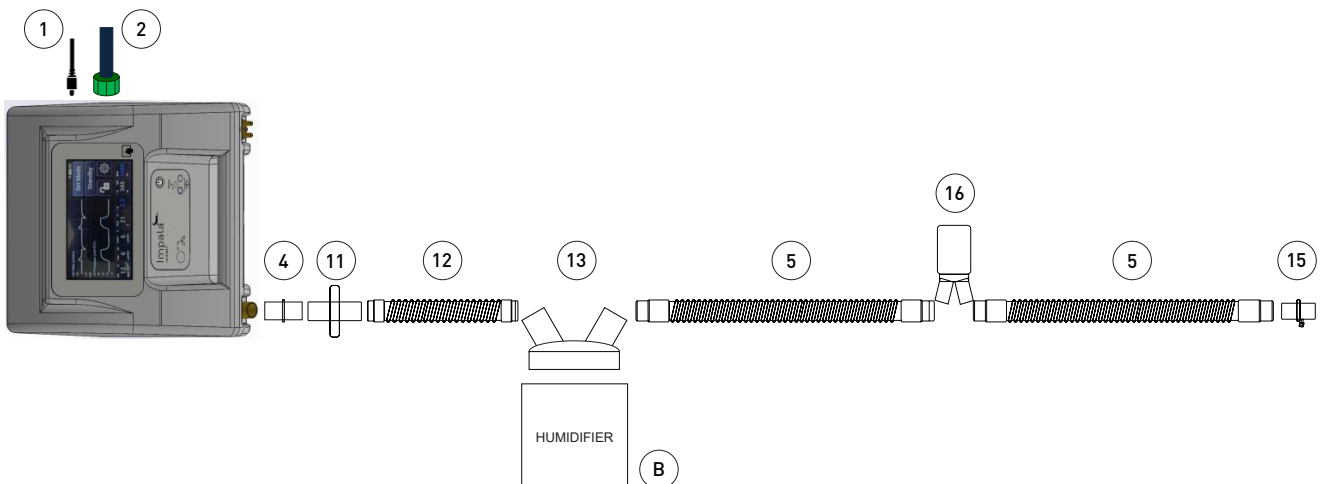
SINGLE LIMB BREATHING CIRCUIT - HEATED

Required: Humidifier with gas heating function



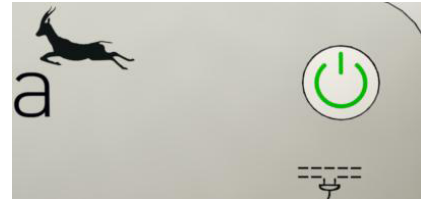
SINGLE LIMB BREATHING CIRCUIT - UNHEATED

Required: Humidifier

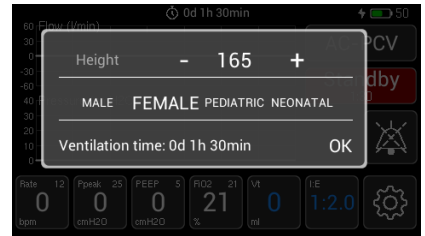


Operation


1 Press and hold power button to turn device ON/OFF.

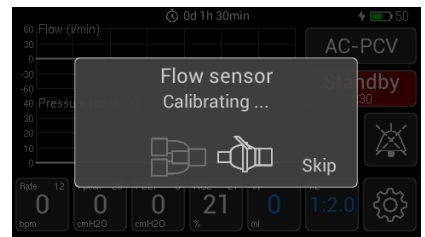


2 Press OK to continue with the last patient or change patient profile to start with a new patient

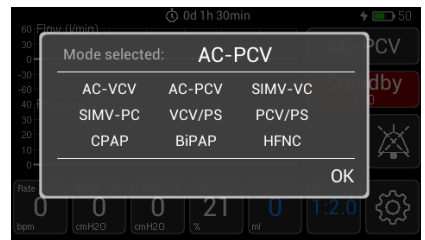
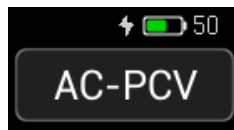


3 Follow instructions on the screen to calibrate oxygen sensor, flow sensor and to perform tightness test

 Skipping these steps may result in measurement inaccuracy



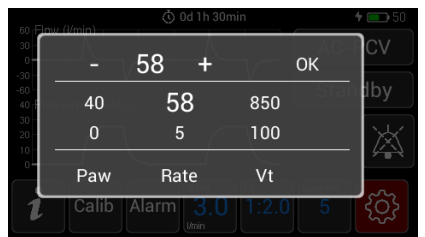
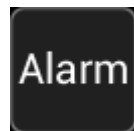
4 Choose ventilation mode



5 Set appropriate parameters



6 Set alarm limits



7 Start / stop ventilation

