

Dolphin

CPAP

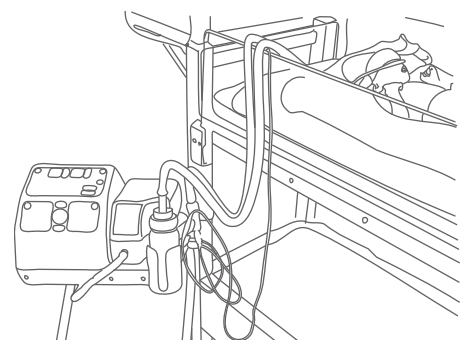
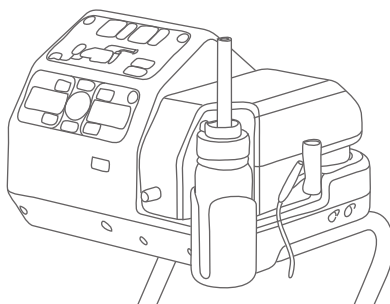
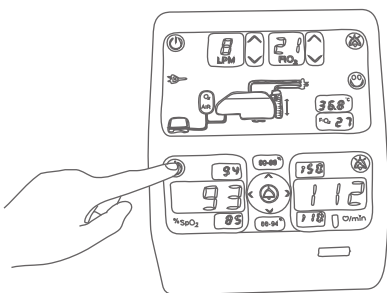
LifeKit by **MTTS**



CE 2265

DOLPHIN

A bubble CPAP machine for **neonatal patients** requiring **respiratory support**.



Overview

- 100% reusable and cleanable
- complete all-in-one CPAP treatment and monitoring device
- integrated design includes gas mixing, humidification, PEEP chamber, air compressor and pulse oximeter in one compact unit
- 2h battery backup (excluding heat and humidity)

PEEP

- innovative design for safe and easy adjustment
- easily visible at front of unit

Gas Mixing

- electronic mixing for easy, independent adjustment of flow rate and FiO₂
- directly set FiO₂, no calculations or tables
- internal regulator allows safe connection to a variety of oxygen sources

Humidifier

- automatically refills for 3-days continuous operation
- small heated volume for quick warm up
- heater power automatically adjusted to maintain correct humidity and minimise rain-out

Patient Circuit

- completely reusable
- most parts autoclavable
- chemically disinfectable if autoclave is not available
- includes internal heater wire and temperature sensors
- robust but flexible silicone tubes

Dimensions and Weight

Unit dimensions (excl. support arm)	80 cm x 38 cm x 38 cm
Shipping (boxed) dimensions	51 cm x 45 cm x 88 cm
Net Weight	18 kg
Shipping Weight	28 kg

Performance Specifications

PEEP	Type: Bubble Pressure Range: 0 to 10 cm H ₂ O
Gas Mixing	Type: Electronic Oxygen Percentage / FiO ₂ : 21 to 99% Flow Rate: 4 to 9 LPM
Air Compressor	Type: Blower Power Supply: Integrated, 12V DC
Gas Supply	Oxygen Input Range: max 60 psi Oxygen Connector: DISS 1240
Humidifier	Type: Passover Humidity: >90% RH Warm Up Time: <10 minutes Time between Refills: 3 days (approx)
Patient Circuit	Type: Heated, Reusable Default Gas Temp: 37°C (range 35-40°C)
Pulse-Oximeter	SPO ₂ Measurement: 1 - 100% SPO ₂ BPM Measurement: 25 - 240 bpm
Device noise level	<50 dB at a distance of 1 meter

Requirements

Power Requirements	Voltage: 100-240V AC Frequency: 50-60 Hz Power Consumption: 240W MAX
Agency Requirements	ISO 13485: 2016 EN 60601-1-2/6/8: 2010 EN 80601-2-61: 2011 ISO 8185: 2009

Distributor:

Pulse Oximeter

- pulse-oximetry integrated into the device
- choice of MTTTS and Masimo SET® technology for accurate, reliable, robust measurements
- simple user interface and alarm settings
- no multi-level menus or complicated button sequences

Air Compressor

- integrated air compressor means there is no need for an external air source
- completely integrated, no messy external wires or tubes



Ordering Information and Servicing

MAIN UNIT	MODEL	ITEM ORDER NO
CPAP Unit	CPAP - V1.20	CPD-10000
CONFIGURATION		
Gas Hose	Compressed Oxygen	CDP-10511/12/13/14
Mains power cable	EU/US-VN/UK	CDP-10601/2/3
User Manual	EN/FR/VN	CDP-10701/2/3

ADDITIONAL SERVICEABLE PARTS	ITEM ORDER NO	LIFETIME
Humidifier	CDP-10800	2 years
PEEP Chamber	CDP-10900	2 years
Silicon Tube Set	CDP-11001	2 years
Heater Wire Draw Line	CDP-11002	1 year
Temperature Sensor	CDP-11003	4 years
Heater Wire Connector	CDP-11004	4 years
Oxygen Sensor	CDP-11100	1.5 years
Inlet Gas Filter	CDP-11200	1 year
Cleaning Brush	CDP-11300	1 year
MTTS Pulse ox Sensor	CDP-11400	1 year

CONSUMABLE PARTS	ITEM ORDER NO
MTTS Nasal Cannula	Size 0/1/2 CNL-10000/1/2

WARRANTY		
Standard Warranty	1 year	Subject to MTTTS Warranty Policy

MTTS

MEDICAL TECHNOLOGY TRANSFER AND SERVICES Co., LTD
ISO 13485: 2016 Certified Company

@ info@mtts-asia.com

www http://mtts-asia.com

+84 24 37 666 521

No 26, Lane 41 An Duong Vuong Street
Phu Thuong Ward, Tay Ho District
Hanoi, Vietnam