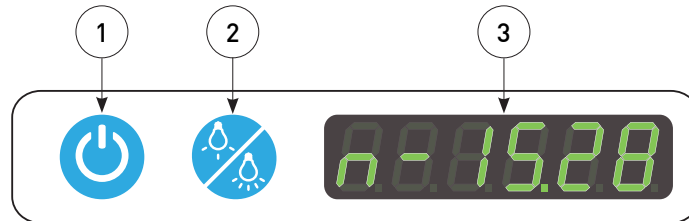




Refer to User Manual for comprehensive information:  
<http://www.mttS-asia.com/colibri-phototherapy/>

### Control Panel



1	<b>On/Off Button</b>	Press this button to turn Colibri Phototherapy display and functions on and off.
2	<b>Therapy Mode Button</b>	Press this button to switch between standard and intensive therapy mode.
3	<b>Display</b>	Shows therapy mode and treatment time.

### Selecting therapy mode

Colibri Phototherapy can be operated in 2 modes:

- STANDARD:  $>37 \mu\text{W}/\text{cm}^2/\text{nm}$
- INTENSIVE:  $>53 \mu\text{W}/\text{cm}^2/\text{nm}$



Turn on the device by pressing the "On/Off Button".  
 The display shows the "total device hours".  
 This will be displayed for 3 seconds.



The display will start counting the "treatment time" in STANDARD MODE.



To select INTENSIVE mode press the "Therapy Mode Button".  
 The display shows the "total device hours of INTENSIVE MODE".  
 This will be displayed for 3 seconds.



The display will start counting the "treatment time" in INTENSIVE MODE.



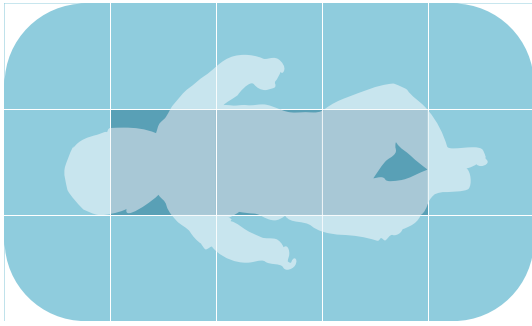
To turn on the EXAMINATION LIGHT press the "Therapy Mode Button" again.



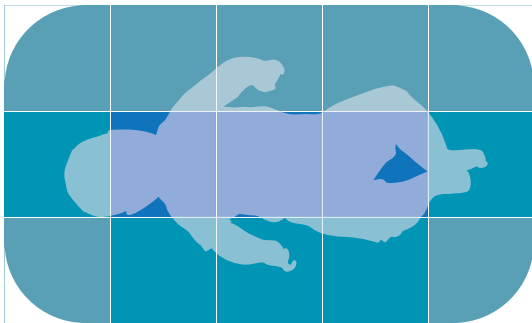
Turn off the device by pressing the "On/Off Button".

## Irradiance

### STANDARD MODE



### INTENSIVE MODE



$\mu W/cm^2/nm$

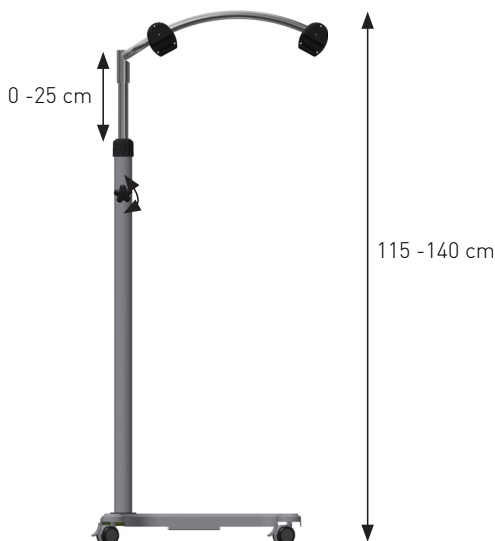
>20

>30

>40

>50

## Height adjustment



Recommended distance from the light source to the patient is 30-40 cm.

Exercise caution when adjusting the height of the Colibri Phototherapy.

## Cleaning and disinfection

- ✓ If visibly soiled, clean the affected parts with soap and water using a soft cloth. Then wipe with a wet cloth and dry with a soft cloth. For difficult areas use a standard soft-bristled brush.
- ✓ To loosen heavy, dried-on soil, you may first need to saturate the spot with water.
- ✓ When cleaning the device disconnect the power cord.